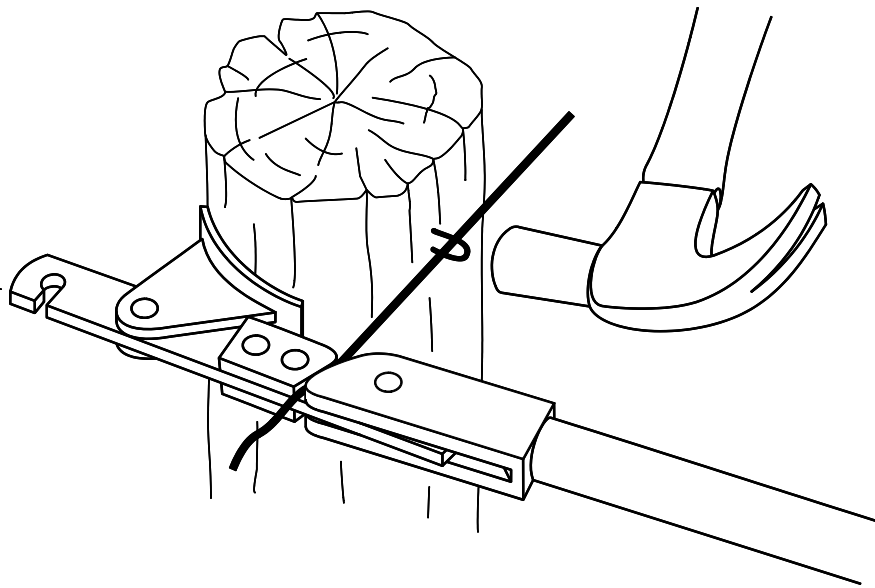


The Fence Wire Tensioning Tool



DRAPER

THE TOOL COMPANY

Fence Wire Tensioning Tool™
European Patent No.1082197

Stock No 57547

The Fence Wire Tensioning Tool has been designed for simplicity of use and ease of operation. Working from post to post along the fence, it will stretch plain, barbed and stock wire up to \varnothing 4mm and is particularly suitable for quick repairs or when an operator is working alone or in a restricted, sloping or uneven environment.

It is widely used in the UK by farmers, stock breeders and fencing contractors, but is also popular with smallholders, landscapers, local councils, contractors, gardeners and homeowners.

- Attaches to and releases from the wire in one quick and easy movement.
- Automatic adjustment to size and type of wire being stretched.
- Smooth jaws minimise damage to wire section and surface coating.
- Only two moving parts - no accessories to get lost.
- Narrow profile gives easy access through stock wire and game fence.
- No clamps or nuts to tighten, no handles to squeeze - minimal operator fatigue.
- Ribbed pivoting foot provides a positive grip against the post when levering.
- Ideal for quick tightening and temporary repairs.
- Use right or left handed - above or below the wire.
- Completely safe in operation - no wide closing surfaces to nip or trap the fingers.
- Quality manufacture in high carbon steel to BS EN ISO 9002

You will be amazed by the simplicity and effectiveness of this tool and how much time and money it will save you in repairs and maintenance alone.

Can you really afford to be without one any longer ?

Visit the dedicated website for more information and even buy on-line.

Price only £42.06. inc VAT. (€ 48.00). <http://www.fencetool.com>

DRAPER TOOLS LIMITED • Hursley Road • Chandlers Ford • Eastleigh • Hampshire • SO53 1YF.
Tel:(023) 8026 6355 Fax:(023)8026 0784
e-mail: sales@drapertools.com <http://www.drapertools.com>